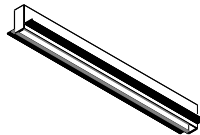
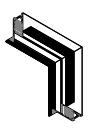

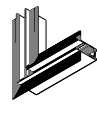

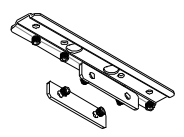
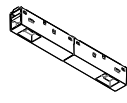
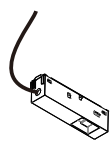
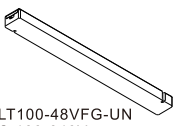

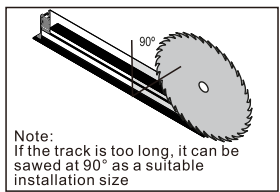
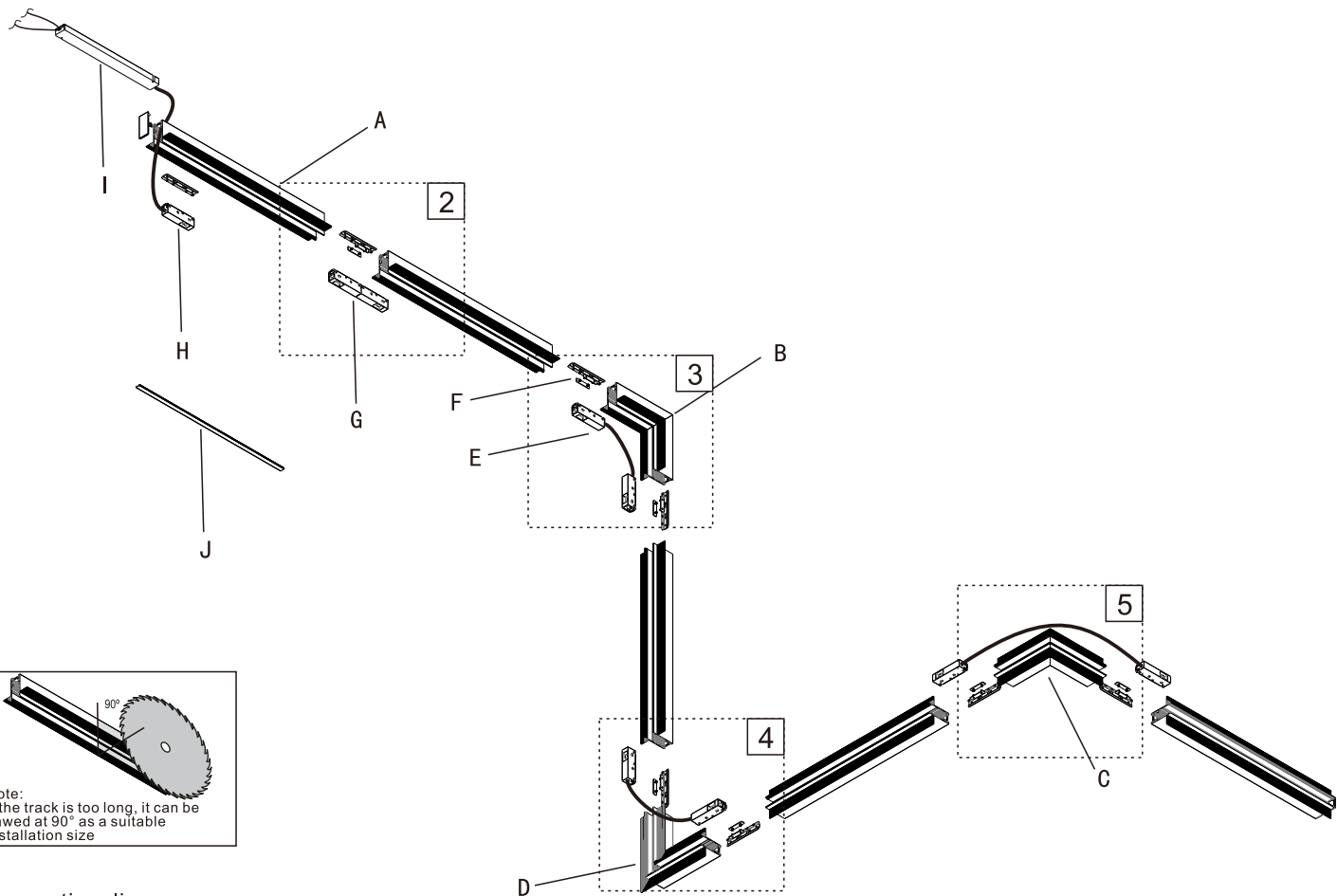


Recessed concealed track connection installation

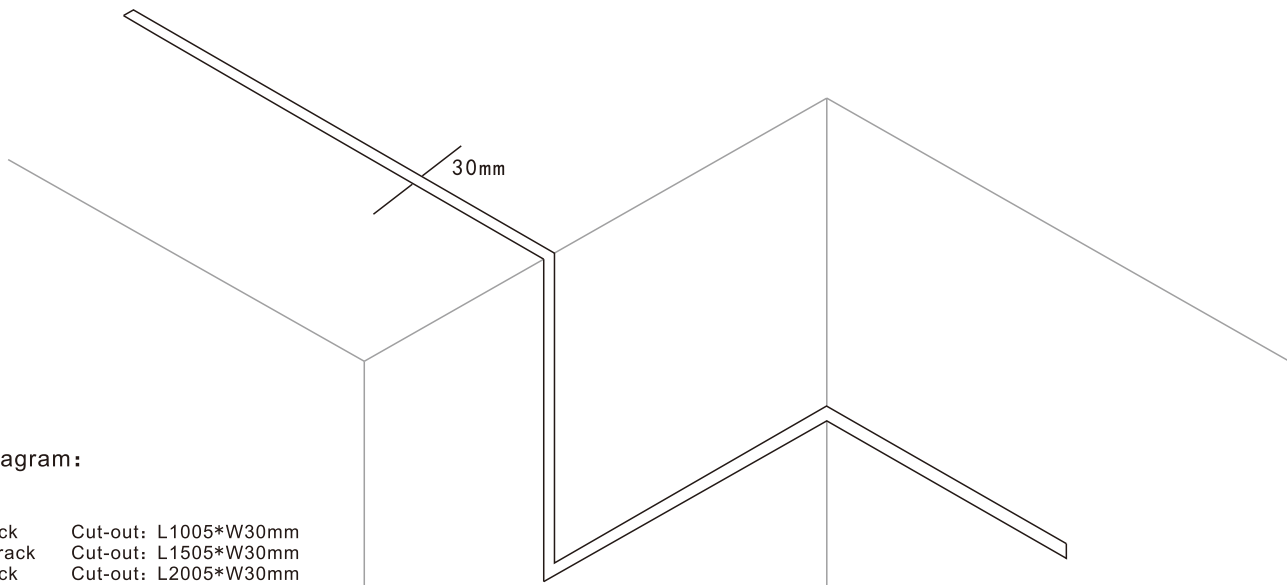
Input: 48VDC

<p><b>A</b></p>  <p>GD-N48V/1M Track GD-N48V/1.5M Track GD-N48V/2M Track</p>	<p><b>B</b></p>  <p>GD-N48V/Inner Corner</p>	<p><b>C</b></p>  <p>GD-N48V/Outer Corner</p>	<p><b>D</b></p>  <p>GD-N48V/Corner</p>	<p><b>E</b></p>  <p>GD Corner Connector</p>
<p><b>F</b></p>  <p>GD Connector kit</p>	<p><b>G</b></p>  <p>GD Power Connector</p>	<p><b>H</b></p>  <p>GD Power head</p>	<p><b>I</b></p>  <p>SLT100-48VFG-UN AC:120-240V DC:48V 100W  SLT60-48VFG-UN AC:120-240V DC:48V 60W</p>	<p><b>J</b></p>  <p>GD Track decorative piece</p>

Warning: The power supply must be cut off before installing the track, please make sure to operate the installation when the power is cut off!

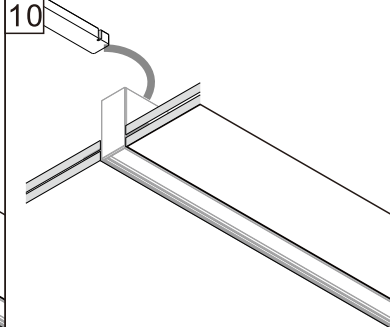
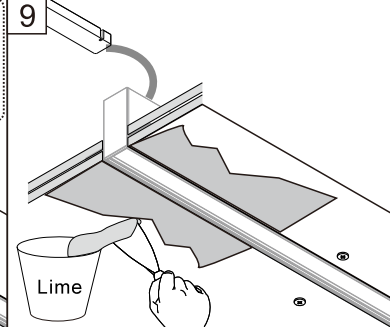
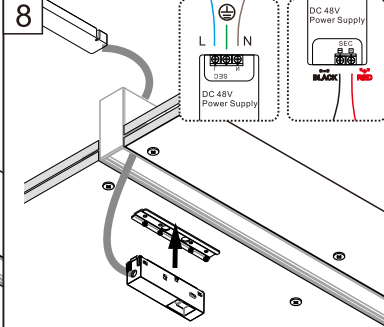
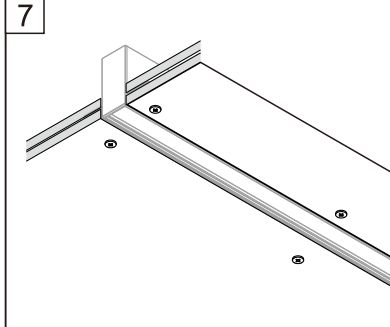
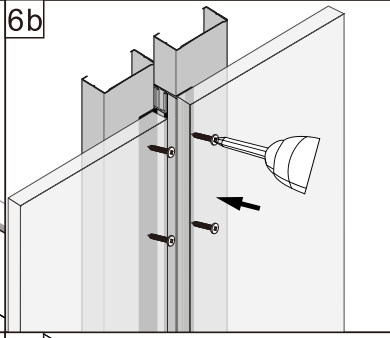
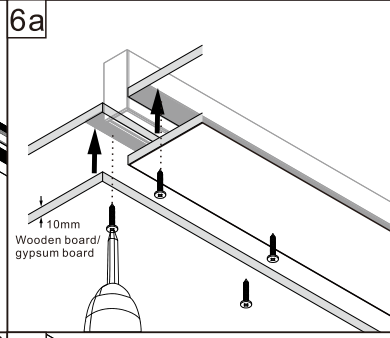
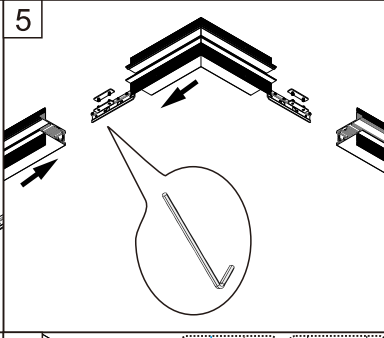
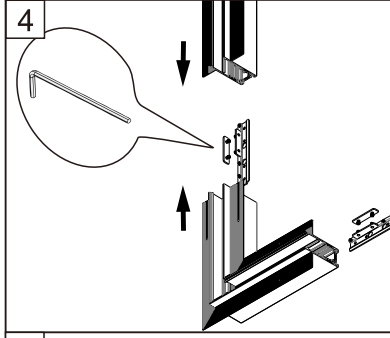
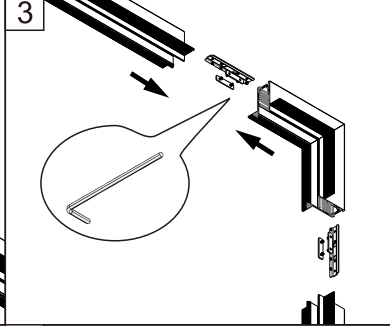
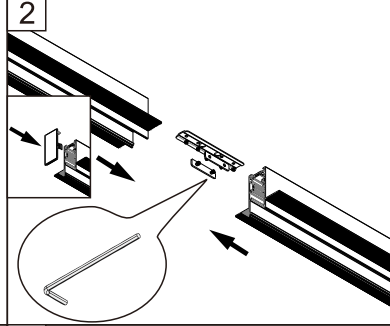
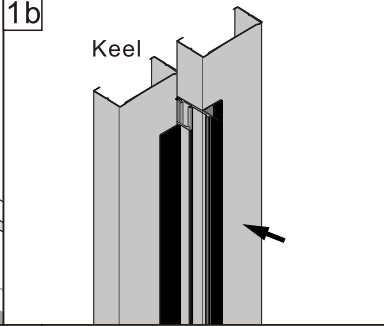
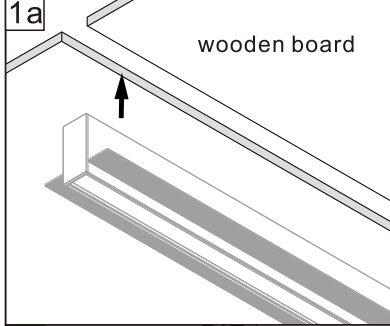


Connection diagram:



Cutting hole diagram:

GD-N48V/1M Track	Cut-out: L1005*W30mm
GD-N48V/1.5M Track	Cut-out: L1505*W30mm
GD-N48V/2M Track	Cut-out: L2005*W30mm
GD-N48V/Inner Corner	Cut-out: L120*W30mm
GD-N48V/Outer Corner	Cut-out: L170*W30mm
GD-N48V/Corner	Cut-out: L180*W30mm



Note:  
Install the connector at the track to make the track all energized and connected.

