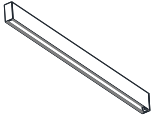




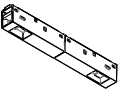
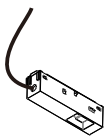
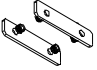
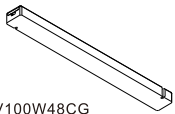
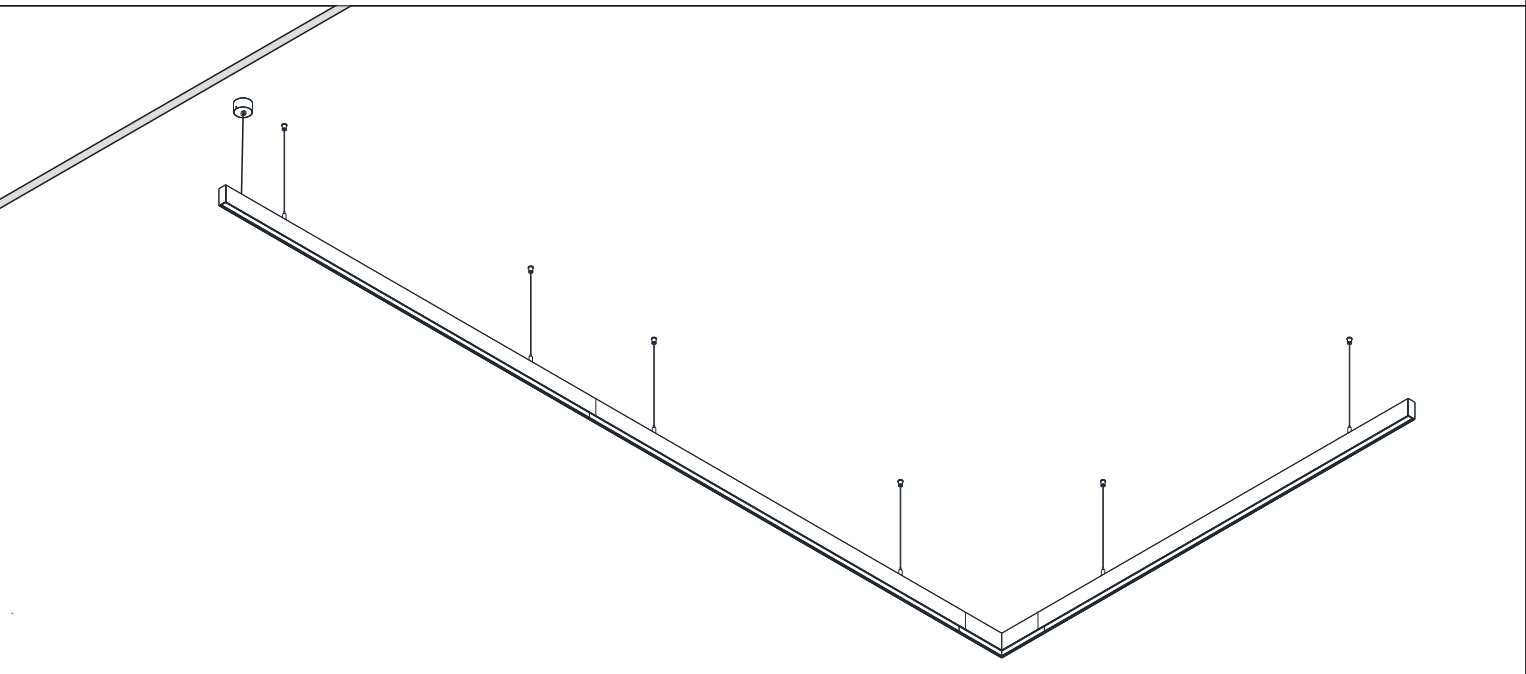
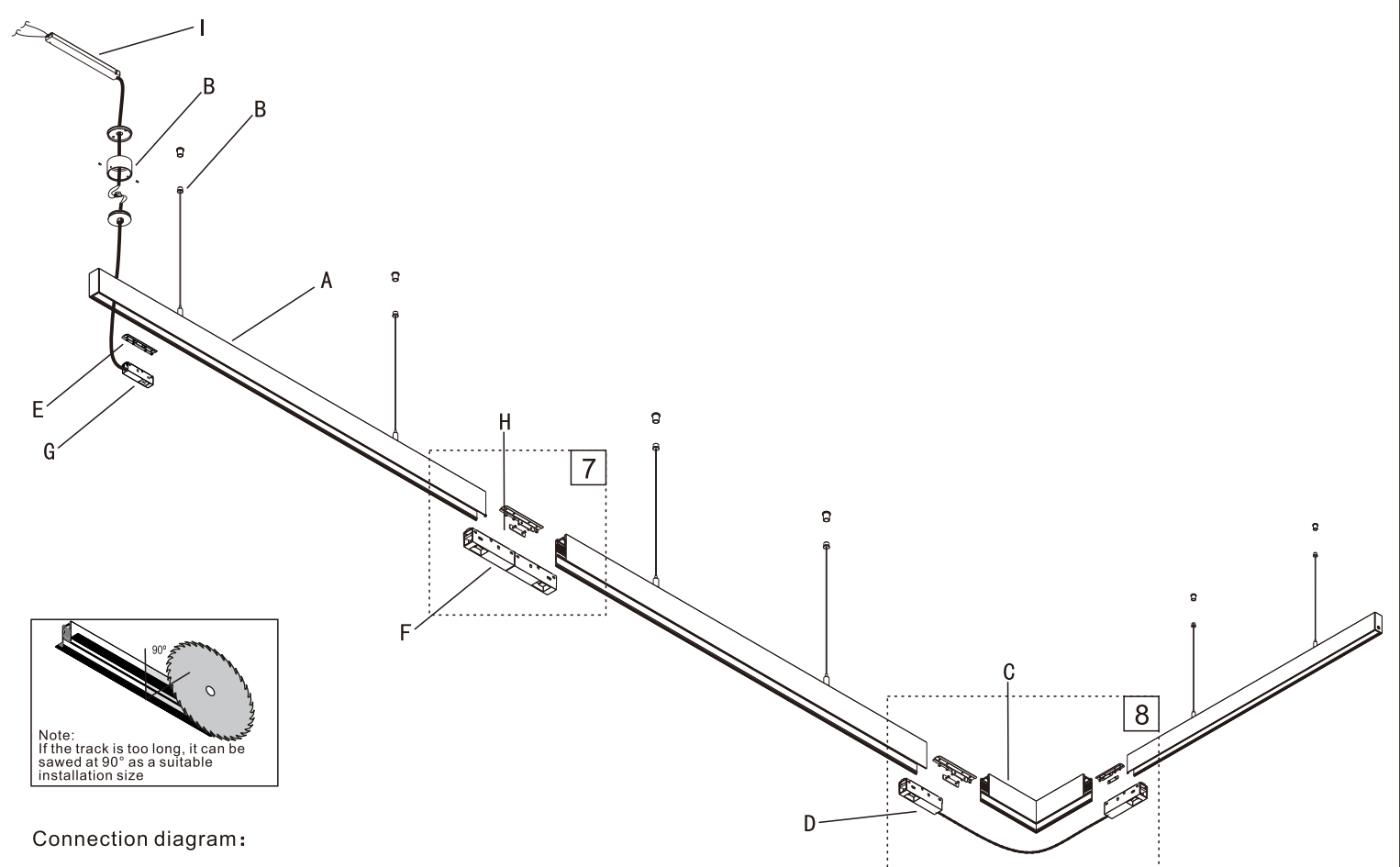


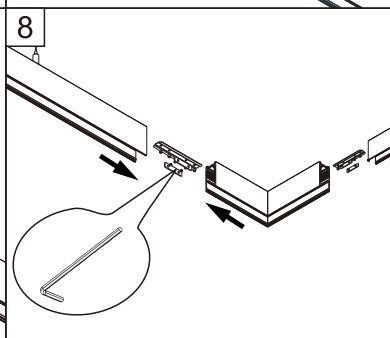
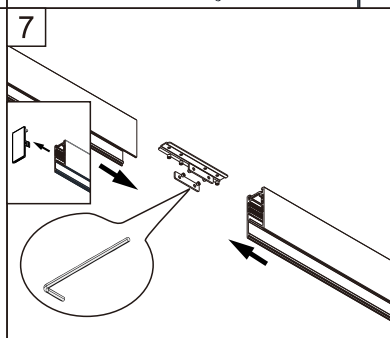
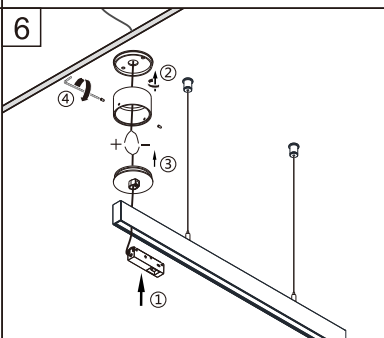
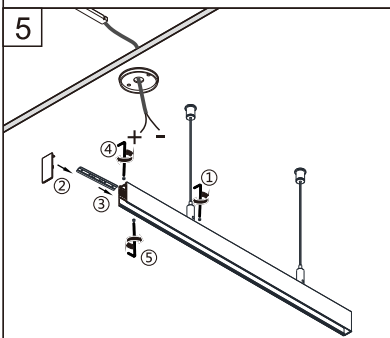
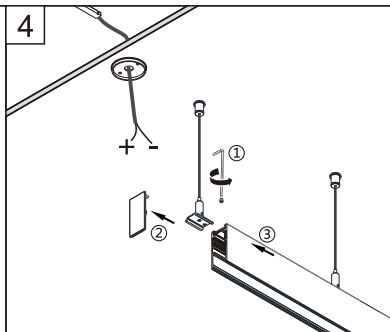
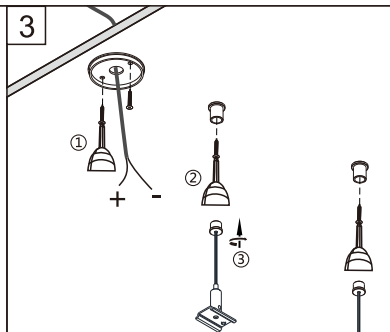
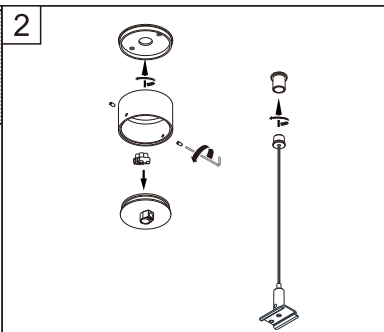
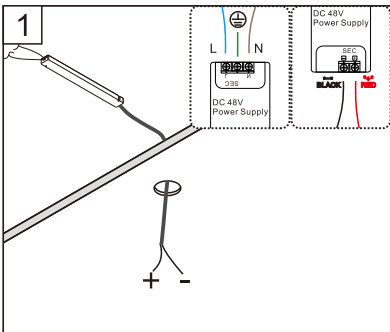
Hanging track connection installation

Input: 48VDC

Warning: The power supply must be cut off before installing the track, please make sure to operate the installation when the power is cut off!

<p>A</p>  <p>GD-D48V/1M Track GD-D48V/1.5M Track GD-D48V/2M Track</p>	<p>B</p>  <p>GD Hanging kit</p>	<p>C</p>  <p>GD-M48V/Horizontal corner</p>	<p>D</p>  <p>GD Corner Connector</p>	<p>E</p>  <p>GD Connection Pieces</p>
<p>F</p>  <p>GD Power Connector</p>	<p>G</p>  <p>GD Power head</p>	<p>H</p>  <p>TS-R Connection Pieces</p>	<p>I</p>  <p>LV100W48CG AC:220-240V DC:48V 100W LV150W48CG AC:220-240V DC:48V 150W</p>	





Note:
Install the connector at the track to make the track all energized and connected.

